

# SET-UP SHEET

# XRAY T4

RACE			
TRACK			
NAME			
CITY / COUNTRY			
CONTACT			

DATE	TEMPERATURE / °F or °C	AIR	TRACK
QUALIFYING POSITION	BEST LAPTIME /sec	FINAL POSITION	RACE LENGTH /minutes

TRACK CONDITION	<input type="checkbox"/> CARPET	<input type="checkbox"/> ASPHALT	
	<input type="checkbox"/> TECHNICAL	<input type="checkbox"/> FAST	
TRACTION	<input type="checkbox"/> LOW	<input type="checkbox"/> MEDIUM	<input type="checkbox"/> HIGH

FRONT	REAR
TRANSMISSION	

SOLID AXLE	<input type="checkbox"/> YES	BALL DIFFERENTIAL	<input type="checkbox"/> YES
SOLID ONE WAY DIFF.	<input type="checkbox"/> YES		
ONE WAY DIFFERENTIAL	<input type="checkbox"/> YES		

GEAR DIFFERENTIAL	<input type="checkbox"/> YES	GEAR DIFFERENTIAL	<input type="checkbox"/> YES
OIL		OIL	/cst

PINION / T		SPUR GEAR / T	
FINAL DRIVE RATIO		ROLLOUT	

FRONT	REAR
	<b>XRAY SPRINGS</b>
	OIL / CST
	LENGTH /mm
	PRELOAD /mm
	REBOUND %

<input type="checkbox"/> YES	<input type="checkbox"/> NO	FOAM INSERTS	<input type="checkbox"/> YES	<input type="checkbox"/> NO
<input type="checkbox"/> YES	<input type="checkbox"/> NO	O-RING ON SHAFT	<input type="checkbox"/> YES	<input type="checkbox"/> NO

<input type="checkbox"/> 3 HOLES	<input type="checkbox"/> 1.0mm	<input type="checkbox"/> 3 HOLES	<input type="checkbox"/>
<input type="checkbox"/> 4 HOLES	<input type="checkbox"/> 1.1mm	<input type="checkbox"/> 4 HOLES	<input type="checkbox"/>
	<input type="checkbox"/> 1.2mm	<input type="checkbox"/> 4 HOLES	<input type="checkbox"/>
	<b>OTHERS</b>		

THICKNESS/mm	<b>ANTI-ROLL BAR</b>	THICKNESS/mm
--------------	----------------------	--------------

TIRES	
	INSERTS
	ADDITIVE
	ADDITIVE TIMING

FRONT LEFT	FRONT RIGHT	REAR LEFT	REAR RIGHT
TREATED AREA			

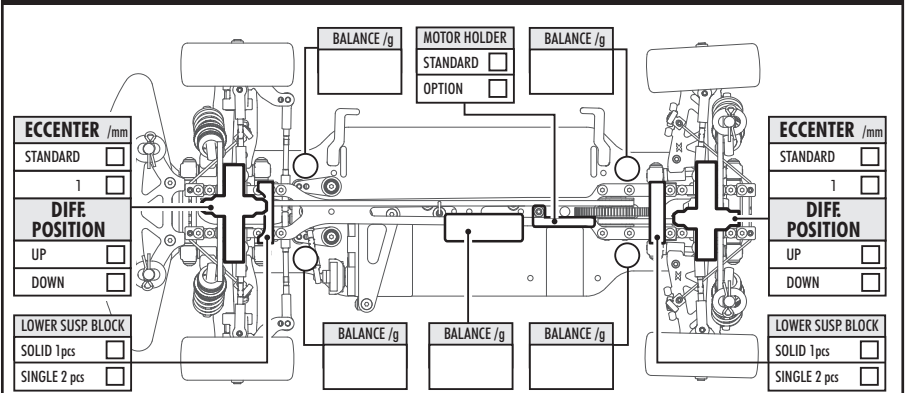
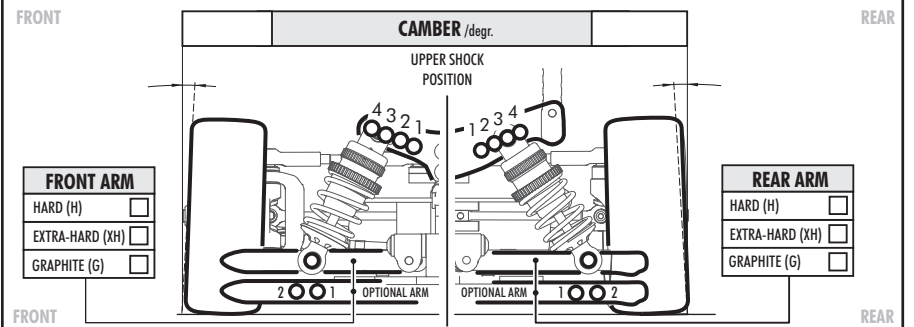
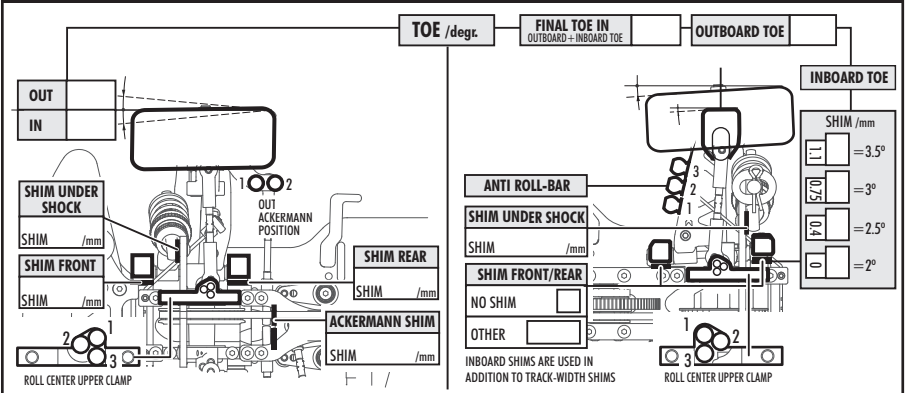
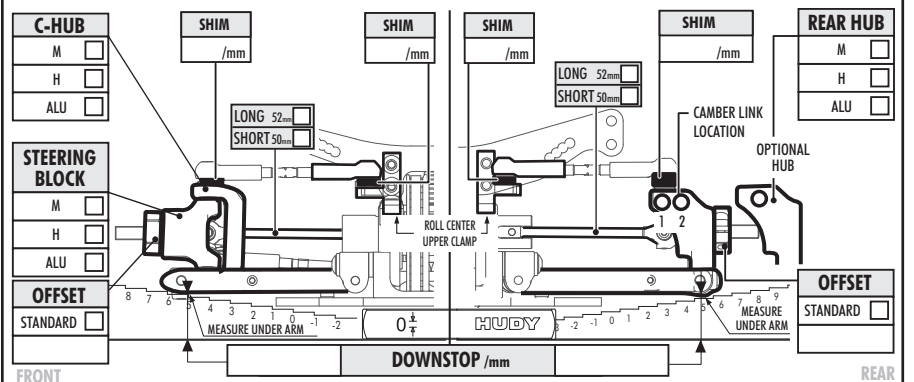
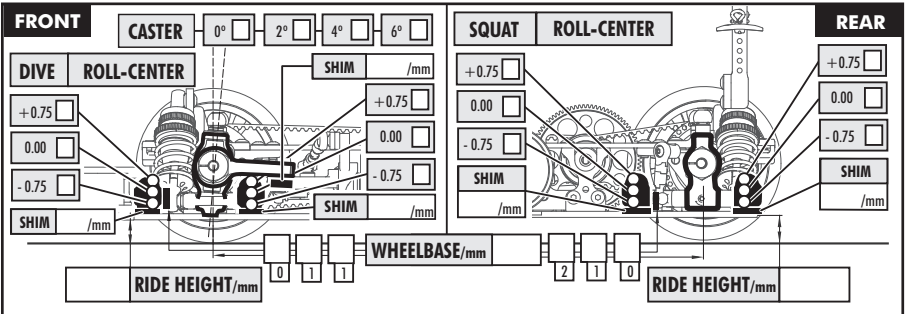
WHEELS		
S <input type="checkbox"/>	M <input type="checkbox"/>	H <input type="checkbox"/>
HARDNESS		
S <input type="checkbox"/>	M <input type="checkbox"/>	H <input type="checkbox"/>

MOTOR	TIMING
ROTOR	ARMATURE

ESC	BATTERIES
-----	-----------

BODY	WING
------	------

●  - APPLIED S-SOFT M-MEDIUM H-HARD



COMMENTS